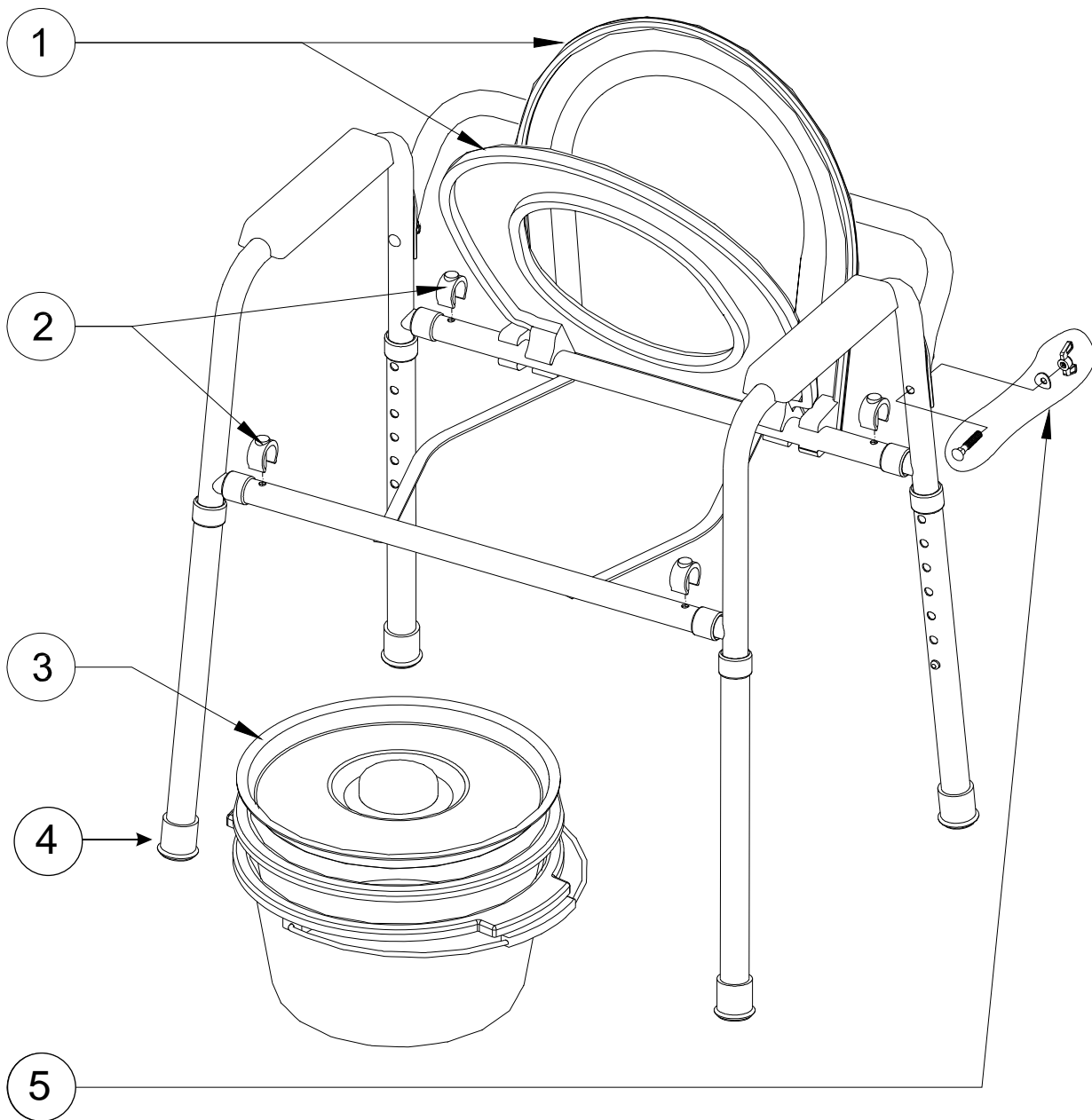


770-315 HOME CARE COMMODOE



Item #	AMG Part #	Item Description	Qty Per Unit	Pkg Qty
1.	770-923	Deluxe Toilet Seat and Cover – Small, dark grey	1 ST	1 ST
2.	A03-241	E-Clip, Grey (for ø22.2mm Tubing)	4 EA	1 EA
3.	B03-411	Replacement Commode Pail (5 Litre), Splash Guard And Cover	1 ST	1 ST
4.	A03-434	Commode Rubber Tip (4 ea / set)	1 ST	1 ST
5.	B03-881	Hardware for Commode Back (Bolt M6x35mm, Curved Washer & Wing Nut)	1 ST	1 ST